



ScrollPak

condensing unit

SPC Ver 1.0

ScrollPak Condensing Units

ScrollPak uses advance scroll technologies from Copeland coupled with Eden G4's latest heat transfer technologies setting a new standard of efficiency and reliability for Condensing Units. ScrollPak offers outstanding solutions in commercial refrigeration application.

Features

- Compact and Sophisticated outlook
- Easy installation and after-sales service
- ScrollPak uses Eden G4 condenser with the most advance smart circuitry coil technology combined with double sine wave fin maximizing the heat transfer coefficient
- Scroll compressor offers longer lifetime, better reliability and ensure high volumetric efficiency
- ScrollPak uses Scroll compressors designed for Low Noise and minimum vibration operation

Specification

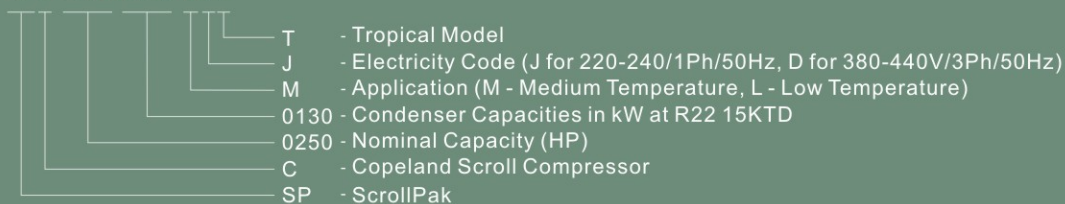
- Terminal Box (IP54) offered as standard for all models
- High quality fan motor fitted with thermistor motor protection conforming to DIN 40050 safety standard, to ensure durability and performance
- All 300mm and 350mm motors are 220V/1Ph/50Hz/60Hz, 400mm and 500mm motors are 380V/440V/3Ph/50Hz/60Hz
- Original Fan motors must be used to achieve the required total heat rejection of the Condenser
- Dual Pressure Control (High pressure - Manual Reset, Low pressure - Auto Reset) offered as standard for all models
- Optional Accessories are readily available
- Safety Working Pressure on Eden Receivers - 500PSI
- Applicable Refrigerants R22, R404A, R507 and R134A
- Suction Accumulators are standard for all low temperature Condensing Units

Optionals

- "Blue Fin" Condensers (for installation in robust environment)
- Factory fitted Liquid Line (Filter Drier, Moisture Indicator and Hand Valve)
- Compressor Crankcase Heaters (For 3-phase application only)
- Factory fitted Oil Separator
- Factory fitted Suction Accumulator (For medium temperature)
- Condenser Fan Speed Control
- EC Motors
- Enhanced Terminal Box
- Weather Protection Housing

Nomenclature

SPC-0250.0130-MJT



Index

Performance Data.....	1-5
ScrollPak Medium Temperature Series.....	1-3
R404A / R507.....	1
R134A.....	2
R22.....	3
ScrollPak Low Temperature Series.....	4-5
R404A / R507.....	4
R22.....	5
Technical Data.....	6-7
Dimension.....	8-9

PERFORMANCE DATA

ScrollPak Medium Temperature Series

R404A / R507

50Hz

Model	Nominal Power(HP)	Ambient Temperature(°C)	Refrigerating Capacity (kW)						
			Evaporation Temperature(°C)						
			-20	-15	-12	-10	-5	0	5
SPC-0200.0092-MJ	2	35	2.00	2.40	2.40	3.11	3.81	4.63	5.58
		38	1.85	2.23	2.23	2.90	3.57	4.35	5.26
		41	1.69	2.06	2.06	2.69	3.33	4.07	-
SPC-0200.0115-MJT	2	35	2.14	2.56	2.56	3.31	4.04	4.90	5.88
		38	2.00	2.40	2.40	3.11	3.81	4.63	5.58
		41	1.85	2.23	2.23	2.90	3.57	4.35	5.26
SPC-0250.0092-MJ	2.5	35	2.24	2.70	2.70	3.50	4.30	5.25	6.51
		38	2.07	2.50	2.50	3.25	4.01	4.91	6.12
		41	1.89	2.29	2.29	3.00	3.71	4.56	-
SPC-0250.0130-MJT	2.5	35	2.41	2.89	2.89	3.74	4.59	5.58	6.88
		38	2.24	2.70	2.70	3.50	4.30	5.25	6.51
		41	2.07	2.50	2.50	3.25	4.01	4.91	6.12
SPC-0300.0115-MJ	3	35	2.95	3.55	3.55	4.60	5.65	6.88	8.32
		38	2.73	3.29	3.29	4.29	5.28	6.46	-
		41	2.51	3.03	3.03	3.97	4.91	6.02	-
SPC-0300.0158-MJT	3	35	3.17	3.79	3.79	4.90	6.01	7.30	8.80
		38	2.95	3.55	3.55	4.60	5.65	6.88	8.32
		41	2.73	3.29	3.29	4.29	5.28	6.46	-
SPC-0200.0092-MD	2	35	1.75	2.18	2.18	2.92	3.65	4.48	5.44
		38	1.57	1.98	1.98	2.68	3.37	4.16	5.07
		41	1.38	1.77	1.77	2.43	3.08	3.83	-
SPC-0200.0115-MDT	2	35	1.93	2.38	2.38	3.16	3.92	4.80	5.80
		38	1.75	2.18	2.18	2.92	3.65	4.48	5.44
		41	1.57	1.98	1.98	2.68	3.37	4.16	5.07
SPC-0250.0092-MD	2.5	35	2.39	2.87	2.87	3.71	4.56	5.57	6.79
		38	2.21	2.66	2.66	3.47	4.28	5.24	6.39
		41	2.03	2.46	2.46	3.21	3.98	4.90	-
SPC-0250.0130-MDT	2.5	35	2.57	3.07	3.07	3.95	4.85	5.90	7.18
		38	2.39	2.87	2.87	3.71	4.56	5.57	6.79
		41	2.21	2.66	2.66	3.47	4.28	5.24	6.39
SPC-0300.0115-MD	3	35	2.88	3.47	3.47	4.50	5.53	6.74	8.15
		38	2.67	3.22	3.22	4.19	5.17	6.32	-
		41	2.45	2.96	2.96	3.88	4.80	5.89	-
SPC-0300.0158-MDT	3	35	3.09	3.71	3.71	4.80	5.88	7.15	8.62
		38	2.88	3.47	3.47	4.50	5.53	6.74	8.15
		41	2.67	3.22	3.22	4.19	5.17	6.32	-
SPC-0350.0144-MD	3.5	35	3.35	4.02	4.02	5.21	6.40	7.81	9.52
		38	3.10	3.73	3.73	4.86	6.00	7.34	-
		41	2.84	3.44	3.44	4.51	5.58	6.87	-
SPC-0350.0195-MDT	3.5	35	3.60	4.30	4.30	5.55	6.80	8.27	10.05
		38	3.35	4.02	4.02	5.21	6.40	7.81	9.52
		41	3.10	3.73	3.73	4.86	6.00	7.34	8.96
SPC-0400.0158-MD	4	35	3.93	4.93	4.93	6.11	7.51	9.14	11.05
		38	3.63	4.58	4.58	5.70	7.02	8.58	-
		41	3.33	4.22	4.22	5.27	6.52	8.00	-
SPC-0400.0195-MDT	4	35	4.21	5.27	5.27	6.51	7.98	9.70	11.70
		38	3.93	4.93	4.93	6.11	7.51	9.14	11.05
		41	3.63	4.58	4.58	5.70	7.02	8.58	-
SPC-0500.0195-MD	5	35	4.87	5.85	5.85	7.60	9.37	11.45	13.95
		38	4.51	5.43	5.43	7.09	8.77	10.75	-
		41	4.14	5.01	5.01	6.58	8.17	10.05	-
SPC-0500.0286-MDT	5	35	5.22	6.26	6.26	8.11	9.96	12.10	14.75
		38	4.87	5.85	5.85	7.60	9.37	11.45	13.95
		41	4.51	5.43	5.43	7.09	8.77	10.75	13.10
SPC-0600.0232-MD	6	35	5.75	6.90	6.90	8.95	11.00	13.40	16.35
		38	5.34	6.42	6.42	8.36	10.30	12.60	-
		41	4.92	5.93	5.93	7.76	9.60	11.80	-
SPC-0600.0286-MDT	6	35	6.16	7.38	7.38	9.54	11.70	14.25	17.25
		38	5.75	6.90	6.90	8.95	11.00	13.40	16.35
		41	5.34	6.42	6.42	8.36	10.30	12.60	-

Capacity based on 11°C Suction Superheat with no Sub-Cooling
Eden cannot guarantee performance of the Condensing Units if non-standard motors are used

PERFORMANCE DATA

ScrollPak Medium Temperature Series

R134A

50Hz

Model	Nominal Power(HP)	Ambient Temperature(°C)	Refrigerating Capacity (kW)					
			Evaporation Temperature(°C)					
			-15	-12	-10	-5	0	5
SPC-0200.0092-MJ	2	35	1.48	1.73	1.91	2.42	3.02	3.94
		38	1.40	1.64	1.81	2.30	2.88	3.80
		41	-	1.54	1.71	2.18	2.74	3.67
SPC-0200.0115-MJT	2	35	1.56	1.82	2.01	2.54	3.16	3.98
		38	1.48	1.73	1.91	2.42	3.02	3.85
		41	1.40	1.64	1.81	2.30	2.88	3.71
SPC-0250.0092-MJ	2.5	35	1.65	1.96	2.18	2.78	3.47	4.49
		38	1.56	1.87	2.09	2.67	3.34	4.33
		41	-	1.78	1.98	2.55	3.20	4.17
SPC-0250.0130-MJT	2.5	35	1.73	2.05	2.28	2.89	3.60	4.44
		38	1.65	1.96	2.18	2.78	3.47	4.28
		41	1.56	1.87	2.09	2.67	3.34	4.13
SPC-0300.0115-MJ	3	35	2.02	2.40	2.67	3.38	4.19	5.14
		38	1.91	2.29	2.55	3.24	4.03	4.95
		41	-	2.17	2.42	3.10	3.86	5.10
SPC-0300.0158-MJT	3	35	2.13	2.52	2.79	3.52	4.35	5.33
		38	2.02	2.40	2.67	3.38	4.19	5.14
		41	1.91	2.29	2.55	3.24	4.03	4.95
SPC-0200.0092-MD	2	35	1.48	1.73	1.91	2.42	3.02	3.94
		38	1.40	1.64	1.81	2.30	2.88	3.80
		41	-	1.54	1.71	2.18	2.74	3.67
SPC-0200.0115-MDT	2	35	1.56	1.82	2.01	2.54	3.16	3.98
		38	1.48	1.73	1.91	2.42	3.02	3.85
		41	1.40	1.64	1.81	2.30	2.88	3.71
SPC-0250.0092-MD	2.5	35	1.62	1.91	2.13	2.76	3.49	4.49
		38	1.55	1.83	2.04	2.64	3.36	4.33
		41	-	1.74	1.94	2.53	3.22	4.17
SPC-0250.0130-MDT	2.5	35	1.69	1.99	2.22	2.87	3.63	4.49
		38	1.62	1.91	2.13	2.76	3.49	4.33
		41	1.55	1.83	2.04	2.64	3.36	4.17
SPC-0300.0115-MD	3	35	2.20	2.56	2.82	3.56	4.44	5.47
		38	2.11	2.45	2.70	3.42	4.27	5.26
		41	-	2.34	2.58	3.27	4.09	5.10
SPC-0300.0158-MDT	3	35	2.30	2.66	2.93	3.70	4.61	5.66
		38	2.20	2.56	2.82	3.56	4.44	5.47
		41	2.11	2.45	2.70	3.42	4.27	5.26
SPC-0350.0144-MD	3.5	35	2.20	2.62	2.92	3.78	4.77	6.31
		38	2.08	2.49	2.78	3.61	4.58	6.08
		41	-	2.36	2.64	3.44	4.39	5.92
SPC-0350.0195-MDT	3.5	35	2.31	2.75	3.06	3.94	4.96	6.54
		38	2.20	2.62	2.92	3.78	4.77	6.31
		41	2.08	2.49	2.78	3.61	4.58	6.08
SPC-0400.0158-MD	4	35	2.94	3.46	3.84	4.89	6.12	7.76
		38	2.80	3.31	3.67	4.69	5.88	7.48
		41	-	3.15	3.50	4.49	5.65	7.32
SPC-0400.0195-MDT	4	35	3.07	3.61	4.00	5.09	6.35	8.03
		38	2.94	3.46	3.84	4.89	6.12	7.76
		41	2.80	3.31	3.67	4.69	5.88	7.48
SPC-0500.0195-MD	5	35	3.67	4.30	4.75	6.00	7.46	9.20
		38	3.51	4.12	4.55	5.77	7.18	8.87
		41	-	3.94	4.36	5.53	6.90	8.71
SPC-0500.0286-MDT	5	35	3.82	4.47	4.93	6.23	7.74	9.52
		38	3.67	4.30	4.75	6.00	7.46	9.20
		41	3.51	4.12	4.55	5.77	7.18	8.87
SPC-0600.0232-MD	6	35	4.34	5.04	5.57	7.06	8.83	11.05
		38	4.14	4.81	5.31	6.74	8.45	10.65
		41	-	4.58	5.05	6.43	8.07	10.49
SPC-0600.0286-MDT	6	35	4.55	5.28	5.82	7.37	9.20	11.50
		38	4.34	5.04	5.57	7.06	8.83	11.05
		41	4.14	4.81	5.31	6.74	8.45	10.65

PERFORMANCE DATA

ScrollPak Medium Temperature Series

R22

50Hz

Model	Nominal Power(HP)	Ambient Temperature(°C)	Refrigerating Capacity (kW)				
			Evaporation Temperature(°C)				
			-12	-10	-5	0	5
SPC-0200.0092-MJ	2	35	2.94	3.21	3.93	4.77	5.67
		38	2.79	3.04	3.75	4.56	5.49
		41	2.63	2.88	3.56	4.34	-
SPC-0200.0115-MJT	2	35	3.09	3.36	4.11	4.96	5.86
		38	2.94	3.21	3.93	4.77	5.67
		41	2.79	3.04	3.75	4.56	5.49
SPC-0250.0092-MJ	2.5	35	3.24	3.56	4.43	5.41	6.54
		38	3.08	3.40	4.26	5.22	6.32
		41	2.89	3.21	4.07	5.01	-
SPC-0250.0130-MJT	2.5	35	3.39	3.71	4.59	5.58	6.75
		38	3.24	3.56	4.43	5.41	6.54
		41	3.08	3.40	4.26	5.22	6.32
SPC-0300.0115-MJ	3	35	3.63	4.04	5.13	6.37	8.25
		38	3.42	3.83	4.92	6.13	7.98
		41	3.19	3.59	4.67	5.87	-
SPC-0300.0158-MJT	3	35	3.81	4.22	5.33	6.58	8.52
		38	3.63	4.04	5.13	6.37	8.25
		41	3.42	3.83	4.92	6.13	7.98
SPC-0200.0092-MD	2	35	2.94	3.21	3.93	4.77	5.64
		38	2.79	3.04	3.75	4.56	5.43
		41	2.63	2.88	3.56	4.34	-
SPC-0200.0115-MDT	2	35	3.09	3.36	4.11	4.96	5.84
		38	2.94	3.21	3.93	4.77	5.64
		41	2.79	3.04	3.75	4.56	5.43
SPC-0250.0092-MD	2.5	35	3.33	3.63	4.47	5.43	6.50
		38	3.19	3.48	4.30	5.24	6.27
		41	3.04	3.33	4.13	5.05	-
SPC-0250.0130-MDT	2.5	35	3.46	3.77	4.63	5.62	6.73
		38	3.33	3.63	4.47	5.43	6.50
		41	3.19	3.48	4.30	5.24	6.27
SPC-0300.0115-MD	3	35	4.24	4.63	5.67	6.85	8.20
		38	4.08	4.45	5.45	6.59	7.91
		41	3.92	4.28	5.23	6.33	-
SPC-0300.0158-MDT	3	35	4.40	4.81	5.89	7.10	8.49
		38	4.24	4.63	5.67	6.85	8.20
		41	4.08	4.45	5.45	6.59	7.91
SPC-0350.0144-MD	3.5	35	4.66	5.09	6.25	7.60	9.77
		38	4.48	4.89	6.02	7.33	9.43
		41	4.30	4.69	5.79	7.06	-
SPC-0350.0195-MDT	3.5	35	4.84	5.28	6.48	7.86	10.10
		38	4.66	5.09	6.25	7.60	9.77
		41	4.48	4.89	6.02	7.33	9.43
SPC-0400.0158-MD	4	35	5.70	6.22	7.62	9.20	11.00
		38	5.48	5.98	7.33	8.86	10.60
		41	5.27	5.75	7.03	8.50	-
SPC-0400.0195-MDT	4	35	5.92	6.46	7.91	9.54	11.40
		38	5.70	6.22	7.62	9.20	11.00
		41	5.48	5.98	7.33	8.86	10.60
SPC-0500.0195-MD	5	35	6.53	7.20	9.08	11.20	13.70
		38	6.23	6.88	8.70	10.80	13.20
		41	5.96	6.58	8.33	10.35	-
SPC-0500.0286-MDT	5	35	6.83	7.53	9.46	11.65	14.15
		38	6.53	7.20	9.08	11.20	13.70
		41	6.23	6.88	8.70	10.80	13.20
SPC-0600.0232-MD	6	35	8.58	9.36	11.45	13.85	16.50
		38	8.21	8.97	11.00	13.35	15.95
		41	7.84	8.57	10.55	12.80	-
SPC-0600.0286-MDT	6	35	8.94	9.73	11.90	14.30	17.10
		38	8.58	9.36	11.45	13.85	16.50
		41	8.21	8.97	11.00	13.35	15.95

PERFORMANCE DATA

ScrollPak Low Temperature Series

R404A / R507

50Hz

Model	Nominal Power(HP)	Ambient Temperature (°C)	Refrigerating Capacity (kW)					
			Evaporation Temperature(°C)					
			-40	-35	-30	-25	-20	-15
SPC-0200.0065-LD	2	35	0.87	1.14	1.44	1.79	2.21	2.71
		38	0.81	1.07	1.36	1.69	2.09	2.56
		41	0.75	1.00	1.27	1.59	1.96	2.40
SPC-0200.0115-LDT	2	35	0.93	1.20	1.52	1.89	2.33	2.86
		38	0.87	1.14	1.44	1.79	2.21	2.71
		41	0.81	1.07	1.36	1.69	2.09	2.56
SPC-0250.0092-LD	2.5	35	1.09	1.40	1.78	2.26	2.83	3.50
		38	1.04	1.31	1.67	2.12	2.63	3.29
		41	0.98	1.22	1.54	1.96	2.47	3.07
SPC-0250.0130-LDT	2.5	35	1.15	1.48	1.90	2.40	3.00	3.69
		38	1.09	1.40	1.78	2.26	2.83	3.50
		41	1.04	1.31	1.67	2.12	2.63	3.29
SPC-0300.0092-LD	3	35	1.19	1.54	1.96	2.46	3.05	3.76
		38	1.11	1.44	1.84	2.31	2.87	3.54
		41	1.03	1.34	1.71	2.15	2.68	3.31
SPC-0300.0144-LDT	3	35	1.26	1.63	2.08	2.60	3.23	3.97
		38	1.19	1.54	1.96	2.46	3.05	3.76
		41	1.11	1.44	1.84	2.31	2.87	3.54
SPC-0350.0115-LD	3.5	35	1.50	1.95	2.46	3.07	3.80	4.67
		38	1.40	1.82	2.37	2.88	3.57	4.40
		41	1.29	1.69	2.15	2.68	3.33	4.11
SPC-0350.0158-LDT	3.5	35	1.60	2.07	2.61	3.26	4.02	4.94
		38	1.50	1.95	2.46	3.07	3.80	4.67
		41	1.40	1.82	2.37	2.88	3.57	4.40
SPC-0400.0130-LD	4	35	1.70	2.20	2.81	3.54	4.42	5.47
		38	1.61	2.06	2.63	3.31	4.14	5.14
		41	1.51	1.92	2.44	3.08	3.85	4.79
SPC-0400.0195-LDT	4	35	1.79	2.33	2.98	3.76	4.70	5.80
		38	1.70	2.20	2.81	3.54	4.42	5.47
		41	1.61	2.06	2.63	3.31	4.14	5.14
SPC-0500.0158-LD	5	35	2.07	2.70	3.44	4.33	5.40	6.68
		38	1.93	2.57	3.22	4.06	5.07	6.27
		41	1.79	2.35	3.00	3.79	4.73	5.86
SPC-0500.0232-LDT	5	35	2.21	2.87	3.66	4.60	5.73	7.08
		38	2.07	2.70	3.44	4.33	5.40	6.68
		41	1.93	2.57	3.22	4.06	5.07	6.27
SPC-0600.0195-LD	6	35	2.57	3.31	4.20	5.27	6.55	8.08
		38	2.39	3.09	3.93	4.94	6.15	7.60
		41	2.21	2.87	3.66	4.60	5.74	7.10
SPC-0600.0286-LDT	6	35	2.74	3.52	4.46	5.59	6.94	8.56
		38	2.57	3.31	4.20	5.27	6.55	8.08
		41	2.39	3.09	3.93	4.94	6.15	7.60

PERFORMANCE DATA

ScrollPak Low Temperature Series

R22

50Hz

Model	Nominal Power(HP)	Ambient Temperature(°C)	Refrigerating Capacity (kW)						
			Evaporation Temperature(°C)						
			-45	-40	-35	-30	-25	-20	-15
SPC-0200.0065-LD	2	35	-	1.02	1.30	1.62	2.01	2.63	2.74
		38	-	1.00	1.27	1.59	1.92	2.51	2.59
		41	-	0.97	1.23	1.53	1.88	2.44	2.49
SPC-0200.0115-LDT	2	35	-	1.06	1.34	1.67	2.06	2.71	2.89
		38	-	1.02	1.30	1.62	2.01	2.63	2.74
		41	-	1.00	1.27	1.59	1.92	2.51	2.59
SPC-0250.0092-LD	2.5	35	-	1.23	1.60	1.98	2.47	3.31	3.54
		38	-	1.21	1.57	1.94	2.41	3.20	3.33
		41	-	1.19	1.52	1.89	2.32	3.05	3.10
SPC-0250.0130-LDT	2.5	35	-	1.29	1.64	2.06	2.54	3.39	3.73
		38	-	1.23	1.60	1.98	2.47	3.31	3.54
		41	-	1.21	1.57	1.94	2.41	3.20	3.33
SPC-0300.0092-LD	3	35	1.07	1.39	1.76	2.20	2.72	3.33	4.05
		38	1.04	1.35	1.71	2.14	2.64	3.23	3.92
		41	1.02	1.31	1.66	2.07	2.56	3.13	3.79
SPC-0300.0144-LDT	3	35	1.11	1.43	1.81	2.27	2.80	3.44	4.17
		38	1.07	1.39	1.76	2.20	2.72	3.33	4.05
		41	1.04	1.35	1.71	2.14	2.64	3.23	3.92
SPC-0350.0115-LD	3.5	35	1.33	1.72	2.18	2.72	3.37	4.12	5.00
		38	1.29	1.66	2.11	2.64	3.26	3.99	4.84
		41	1.25	1.61	2.04	2.55	3.15	3.86	4.67
SPC-0350.0158-LDT	3.5	35	1.38	1.78	2.25	2.81	3.48	4.25	5.16
		38	1.33	1.72	2.18	2.72	3.37	4.12	5.00
		41	1.29	1.66	2.11	2.64	3.26	3.99	4.84
SPC-0400.0130-LD	4	35	1.58	2.02	2.54	3.17	3.92	4.80	5.83
		38	1.53	1.95	2.46	3.07	3.79	4.65	5.64
		41	1.48	1.89	2.38	2.97	3.67	4.50	5.46
SPC-0400.0195-LDT	4	35	1.63	2.08	2.62	3.26	4.04	4.94	6.01
		38	1.58	2.02	2.54	3.17	3.92	4.80	5.83
		41	1.53	1.95	2.46	3.07	3.79	4.65	5.64
SPC-0500.0158-LD	5	35	1.91	2.45	3.09	3.87	4.78	5.87	7.12
		38	1.85	2.36	2.99	3.74	4.63	5.68	6.89
		41	1.78	2.28	2.88	3.61	4.47	5.49	6.66
SPC-0500.0232-LDT	5	35	1.97	2.52	3.19	3.99	4.93	6.04	7.34
		38	1.91	2.45	3.09	3.87	4.78	5.87	7.12
		41	1.85	2.36	2.99	3.74	4.63	5.68	6.89
SPC-0600.0195-LD	6	35	2.17	2.82	3.59	4.53	5.63	6.94	8.46
		38	2.09	2.72	3.47	4.38	5.45	6.72	8.19
		41	2.01	2.62	3.35	4.22	5.26	6.49	7.91
SPC-0600.0286-LDT	6	35	2.25	2.91	3.71	4.67	5.81	7.16	8.72
		38	2.17	2.82	3.59	4.53	5.63	6.94	8.46
		41	2.09	2.72	3.47	4.38	5.45	6.72	8.19

TECHNICAL DATA

Unit Model	Compressor Model	Nominal Input Rating (HP)	Number of Fans	Fan Diameter (mm)	Total Fan Motor Rating (W)	Fan Motor (Amps)	Receiver (Litre)
SPC-0200.0092-MJ	ZB15KQ(E)-PFJ	2	1	350	145	0.68	3
SPC-0200.0115-MJT	ZB15KQ(E)-PFJ	2	1	350	145	0.68	3
SPC-0250.0092-MJ	ZB19KQ(E)-PFJ	2.5	1	350	145	0.68	3
SPC-0250.0130-MJT	ZB19KQ(E)-PFJ	2.5	1	350	145	0.68	3
SPC-0300.0115-MJ	ZB21KQ(E)-PFJ	3	1	350	145	0.68	4
SPC-0300.0158-MJT	ZB21KQ(E)-PFJ	3	1	400	135	0.44	4
SPC-0200.0092-MD	ZB15KQ(E)-TFD	2	1	350	145	0.68	3
SPC-0200.0115-MDT	ZB15KQ(E)-TFD	2	1	350	145	0.68	3
SPC-0250.0092-MD	ZB19KQ(E)-TFD	2.5	1	350	145	0.68	3
SPC-0250.0130-MDT	ZB19KQ(E)-TFD	2.5	1	350	145	0.68	3
SPC-0300.0115-MD	ZB21KQ(E)-TFD	3	1	350	145	0.68	4
SPC-0300.0158-MDT	ZB21KQ(E)-TFD	3	1	400	135	0.44	4
SPC-0350.0144-MD	ZB26KQ(E)-TFD	3.5	1	400	135	0.44	4
SPC-0350.0195-MDT	ZB26KQ(E)-TFD	3.5	1	400	135	0.44	4
SPC-0400.0158-MD	ZB29KQ(E)-TFD	4	1	400	135	0.44	4
SPC-0400.0195-MDT	ZB29KQ(E)-TFD	4	1	400	135	0.44	4
SPC-0500.0195-MD	ZB38KQ(E)-TFD	5	1	400	135	0.44	6
SPC-0500.0286-MDT	ZB38KQ(E)-TFD	5	1	500	790	1.85	6
SPC-0600.0232-MD	ZB45KQ(E)-TFD	6	1	500	790	1.85	8
SPC-0600.0286-MDT	ZB45KQ(E)-TFD	6	1	500	790	1.85	8
SPC-0200.0065-LD	ZF06KE-TFD	2	1	300	73	0.32	3
SPC-0200.0115-LDT	ZF06KE-TFD	2	1	350	145	0.68	3
SPC-0250.0092-LD	ZF08KE-TFD	2.5	1	350	145	0.68	3
SPC-0250.0130-LDT	ZF08KE-TFD	2.5	1	350	145	0.68	3
SPC-0300.0092-LD	ZF09KE-TFD	3	1	350	145	0.68	4
SPC-0300.0144-LDT	ZF09KE-TFD	3	1	400	135	0.44	4
SPC-0350.0115-LD	ZF11KE-TFD	3.5	1	350	145	0.68	4
SPC-0350.0158-LDT	ZF11KE-TFD	3.5	1	400	135	0.44	4
SPC-0400.0130-LD	ZF13KE-TFD	4	1	350	145	0.68	6
SPC-0400.0195-LDT	ZF13KE-TFD	4	1	400	135	0.44	6
SPC-0500.0158-LD	ZF15KE-TFD	5	1	400	135	0.44	6
SPC-0500.0232-LDT	ZF15KE-TFD	5	1	500	790	1.85	6
SPC-0600.0195-LD	ZF18KE-TFD	6	1	400	135	0.44	8
SPC-0600.0286-LDT	ZF18KE-TFD	6	1	500	790	1.85	8

TECHNICAL DATA

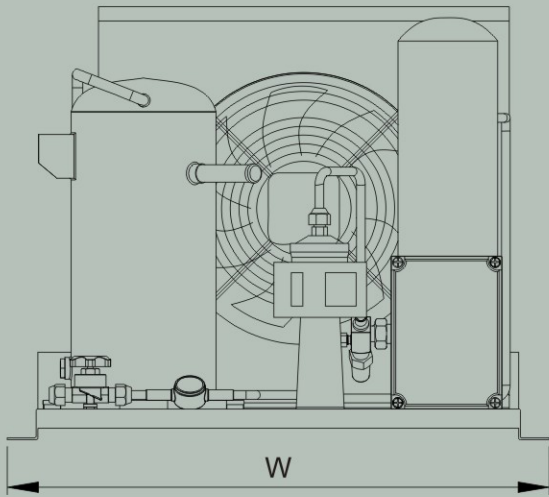
Unit Model	POE Oil	Liquid Pipe Outer Diameter (Inch)	Suction Pipe Outer Diameter (Inch)	Comp. LRA(A)		Comp. RLA(A)	
				PFJ 220/240-1-50Hz	TFD 360/420-3-50Hz	PFJ 220/240-1-50Hz	TFD 360/420-3-50Hz
SPC-0200.0092-MJ	Emkarate RL32CF	3/8"	3/4"	53-58	-	11.4	-
SPC-0200.0115-MJT	Emkarate RL32CF	3/8"	3/4"	53-58	-	11.4	-
SPC-0250.0092-MJ	Emkarate RL32CF	3/8"	3/4"	56-61	-	12.9	-
SPC-0250.0130-MJT	Emkarate RL32CF	3/8"	3/4"	56-61	-	12.9	-
SPC-0300.0115-MJ	Emkarate RL32CF	3/8"	3/4"	75-82	-	16.4	-
SPC-0300.0158-MJT	Emkarate RL32CF	3/8"	3/4"	75-82	-	16.4	-
SPC-0200.0092-MD	Emkarate RL32CF	3/8"	3/4"	-	25-26	-	4.30
SPC-0200.0115-MDT	Emkarate RL32CF	3/8"	3/4"	-	25-26	-	4.30
SPC-0250.0092-MD	Emkarate RL32CF	3/8"	3/4"	-	30-32	-	4.30
SPC-0250.0130-MDT	Emkarate RL32CF	3/8"	3/4"	-	30-32	-	4.30
SPC-0300.0115-MD	Emkarate RL32CF	3/8"	3/4"	-	36-40	-	5.70
SPC-0300.0158-MDT	Emkarate RL32CF	3/8"	3/4"	-	36-40	-	5.70
SPC-0350.0144-MD	Emkarate RL32CF	3/8"	3/4"	-	41-46	-	7.10
SPC-0350.0195-MDT	Emkarate RL32CF	3/8"	3/4"	-	41-46	-	7.10
SPC-0400.0158-MD	Emkarate RL32CF	1/2"	7/8"	-	42-50	-	8.50
SPC-0400.0195-MDT	Emkarate RL32CF	1/2"	7/8"	-	42-50	-	8.50
SPC-0500.0195-MD	Emkarate RL32CF	1/2"	7/8"	-	59-66	-	8.90
SPC-0500.0286-MDT	Emkarate RL32CF	1/2"	7/8"	-	59-66	-	8.90
SPC-0600.0232-MD	Emkarate RL32CF	1/2"	7/8"	-	67-74	-	11.50
SPC-0600.0286-MDT	Emkarate RL32CF	1/2"	7/8"	-	67-74	-	11.50
SPC-0200.0065-LD	Emkarate RL32CF	3/8"	3/4"	-	25	-	3.50
SPC-0200.0115-LDT	Emkarate RL32CF	3/8"	3/4"	-	25	-	3.50
SPC-0250.0092-LD	Emkarate RL32CF	3/8"	3/4"	-	30	-	4.20
SPC-0250.0130-LDT	Emkarate RL32CF	3/8"	3/4"	-	30	-	4.20
SPC-0300.0092-LD	Emkarate RL32CF	3/8"	3/4"	-	40	-	5.00
SPC-0300.0144-LDT	Emkarate RL32CF	3/8"	3/4"	-	40	-	5.00
SPC-0350.0115-LD	Emkarate RL32CF	3/8"	3/4"	-	46	-	6.40
SPC-0350.0158-LDT	Emkarate RL32CF	3/8"	3/4"	-	46	-	6.40
SPC-0400.0130-LD	Emkarate RL32CF	1/2"	7/8"	-	52	-	8.23
SPC-0400.0195-LDT	Emkarate RL32CF	1/2"	7/8"	-	52	-	8.23
SPC-0500.0158-LD	Emkarate RL32CF	1/2"	7/8"	-	64	-	8.60
SPC-0500.0232-LDT	Emkarate RL32CF	1/2"	7/8"	-	64	-	8.60
SPC-0600.0195-LD	Emkarate RL32CF	1/2"	7/8"	-	74	-	8.90
SPC-0600.0286-LDT	Emkarate RL32CF	1/2"	7/8"	-	74	-	8.90

DIMENSION

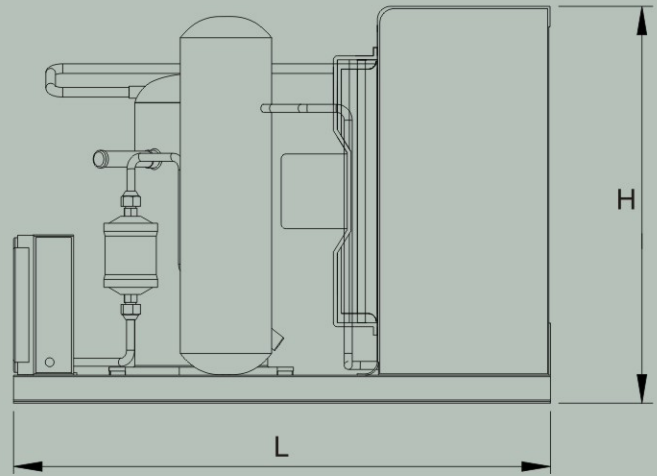
Model	Size (mm)								Weight (kg)*
	A	B	H	W	L	H*	W*	L*	
SPC-0200.0092-MJ	470	590	494	620	670	534	650	700	66
SPC-0200.0115-MJT	470	640	494	670	670	534	700	700	68
SPC-0250.0092-MJ	470	640	494	670	670	534	700	700	77
SPC-0250.0130-MJT	470	640	494	670	670	534	700	700	80
SPC-0300.0115-MJ	470	640	494	670	670	534	700	700	79
SPC-0300.0158-MJT	510	720	545	750	710	585	780	740	83
SPC-0200.0092-MD	470	640	494	670	670	534	700	700	66
SPC-0200.0115-MDT	470	640	494	670	670	534	700	700	68
SPC-0250.0092-MD	470	640	494	670	670	534	700	700	79
SPC-0250.0130-MDT	470	640	494	670	670	534	700	700	82
SPC-0300.0115-MD	470	640	494	670	670	534	700	700	80
SPC-0300.0158-MDT	510	720	545	750	710	585	780	740	84
SPC-0350.0144-MD	510	720	545	750	710	585	780	740	82
SPC-0350.0195-MDT	510	720	545	750	710	585	780	740	86
SPC-0400.0158-MD	510	720	545	750	710	585	780	740	83
SPC-0400.0195-MDT	510	720	545	750	710	585	780	740	88
SPC-0500.0195-MD	510	720	545	750	710	585	780	740	89
SPC-0500.0286-MDT	550	1110	697	1140	750	737	1170	780	125
SPC-0600.0152-MD	510	720	545	750	710	585	780	740	88
SPC-0600.0232-MD	550	1110	697	1140	750	737	1170	780	126
SPC-0600.0286-MDT	550	1110	697	1140	750	737	1170	780	126
SPC-0200.0065-LD	620	640	494	670	820	534	700	850	62
SPC-0200.0115-LDT	620	640	494	670	820	534	700	850	65
SPC-0250.0092-LD	620	640	494	670	820	534	700	850	72
SPC-0250.0130-LDT	610	720	545	750	810	585	780	840	76
SPC-0300.0092-LD	620	640	494	670	820	534	700	850	72
SPC-0300.0144-LDT	610	720	545	750	810	585	780	840	76
SPC-0350.0115-LD	620	640	494	670	820	534	700	850	78
SPC-0350.0158-LDT	610	720	545	750	810	585	780	840	84
SPC-0400.0130-LD	620	640	494	670	820	534	700	850	85
SPC-0400.0195-LDT	610	720	545	750	810	585	780	840	90
SPC-0500.0158-LD	610	720	545	750	810	585	780	840	87
SPC-0500.0232-LDT	550	1110	697	1140	750	737	1170	780	125
SPC-0600.0195-LD	610	720	545	750	810	585	780	840	89
SPC-0600.0286-LDT	550	1110	697	1140	750	737	1170	780	125

* Packed Dimensions/Weight

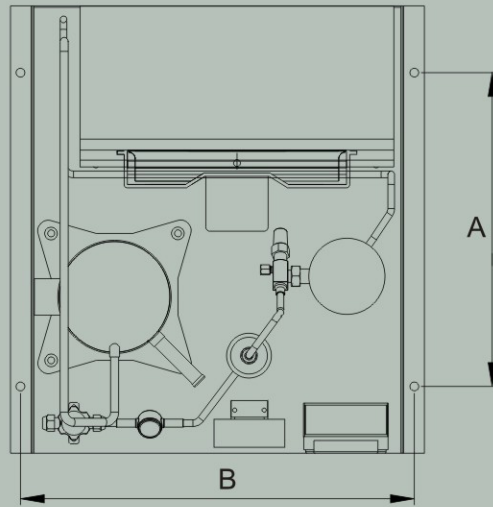
DIMENSION DRAWINGS



FRONT VIEW



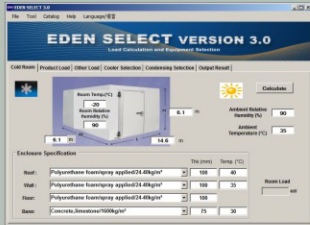
SIDE VIEW



VERTICAL VIEW

Note: The weights and dimensions of the ScrollPak in the catalogue are purely for reference only. The actual weights and dimensions might be different due to design changes and condensing units having different types accessories mounted.

Eden Select:



The Eden Select software enables you to do a refrigeration heat load calculation and select the actual model for the unit cooler and condenser.



Far East Maju Engineering Works Sdn Bhd R&D, Software & Engineering HQ
Tel: (60)-3 8961 0910 Fax: (60)-3 8961 5970
Email: eden@edeng3.com
www.edensolution.com



Eden Refrigeration Manufacturing (Jiangsu) Co., Ltd.
Tel: (86) - 519 8806 3222 Fax: (86) - 519 8806 3233
Email: edensolution@fareastref.com
www.edensolution.com.cn





Visit Us:
www.edensolution.com

AUTHORISED DEALER

Eden accepts no responsibility for possible errors in catalogues, brochures and other printed materials. Eden reserves the right to alter its products without notice. This also applies to products already on order provided that such alterations can be made without subsequential changes being necessary in specifications already agreed.